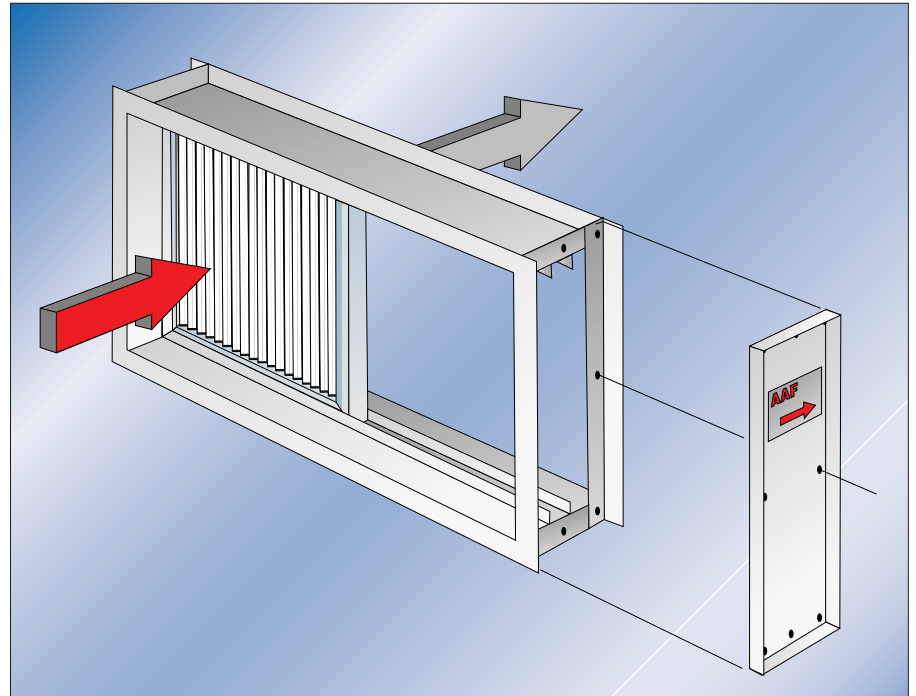




# CSL-P Housing

Side Access Housing for Medium Efficiency



## Description

The CSL-P Housing consists of:

- A Filterbank composed of Filtercells 24x24" or 12x24" mounted in a slide rail.
- An airtight Housing constructed around the Filterbank executed in galvanized steel.
- A lateral service hatch fixed with spring loaded buttons and mounted on one or the other side of the Housing.
- Two non drilled flanges for connection to the duct on the air in-/outlet.

The quality of the construction is compatible with the range of medium efficiency filters. The strength of the Housing is adapted to the maximum permissible pressure drop for medium efficiency filters.

## Applications

Filtration of air in ductwork in positive- or negative pressure.

## Advantages

- Simple concept
- Quick installation
- Quick access to the filtercells
- Wide range

## Options and accessories

- Execution in coated steel RAL colours
- Execution in stainless steel
- Manometer, inclined tube type
- Adjustable differential pressureswitch for alarmfunction
- Side access door mounted on hinges



# CSL-P Housing

## Dimensions

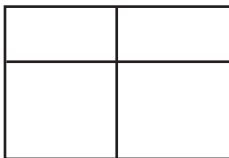
Reference CSL-P	Height <sup>1)</sup> mm	Width <sup>1)</sup> mm	Depth mm	Weight kg	Number of cells 24x24"	Number of cells 12x24"
H1L0.5	710	405	250	11,5	-	1
H0.5L1	405	710	250	11,5	-	1
H1L1	710	710	250	16	1	-
H1L2 <sup>2)</sup>	710	1320	250	22	2	-
H2L2 <sup>2)</sup>	1320	1320	250	33	4	-
H2L3 <sup>2)</sup>	1320	1930	250	41	6	-
H3L3 <sup>2)</sup>	1930	1930	250	55	9	-
H3L4 <sup>2)</sup>	1930	2540	250		12	-
H4L4 <sup>2)</sup>	2540	2540	250		16	-
H4L5 <sup>2)</sup>	2540	3150	250		20	-
etc.						

1) Dimensions including the outside flanges (50 mm nominal)

2) With side access hatch on both sides of the housing

### Notes:

- For other sizes, contact us
- For a second Slide track for two-stage filtration: contact us
- Supplementary half sizes 12x24" to one or both sides :add ".5" to the correspondent size of the side concerned



### Example:

Housing ref.CSL-P H1.5L2

Standard CSL-P Housing for the installation of two cells 24x24" in the lower part and two cells 12x24" in the upper part.

### Options

- Execution in coated steel: CSL-P option **P**
- Execution in stainless steel AISI 304 L: CSL-P option **S**
- Two side access hatches: CSL-P option **L**
- Side access door mounted on hinges: CSL-P option **CH**

### Accessories

- Inclined tube manometer 0-50 mm WG
- Adjustable differential pressureswitch for alarmfunction

**AAF-International B.V.**  
**P.O. Box 7928**  
**1008 AC Amsterdam**  
**The Netherlands**  
**Tel.: + 31 20 549 44 11**  
**Fax: + 31 20 644 43 98**

**International AAF Offices:**  
 Vienna (A), Montreal (CDN), Dortmund (D),  
 Vitoria (E), Paris (F), Cramlington (GB),  
 Athens (GR), Milan (I), Riyadh (KSA),  
 Mexico (Mex), Amsterdam (NL), Singapore,  
 Istanbul (TR), Louisville, Ky (USA)

**AAF Agents:**  
 Copenhagen (DK), Bangalore (IND)  
 Oslo (N), Lisbon (P), Johannesburg (RSA),  
 Dalsjöfors (S), Malmö (S), Helsinki (SF)



AAF has a policy of continuous product research and improvement and reserves the right to change design and specifications without notice.