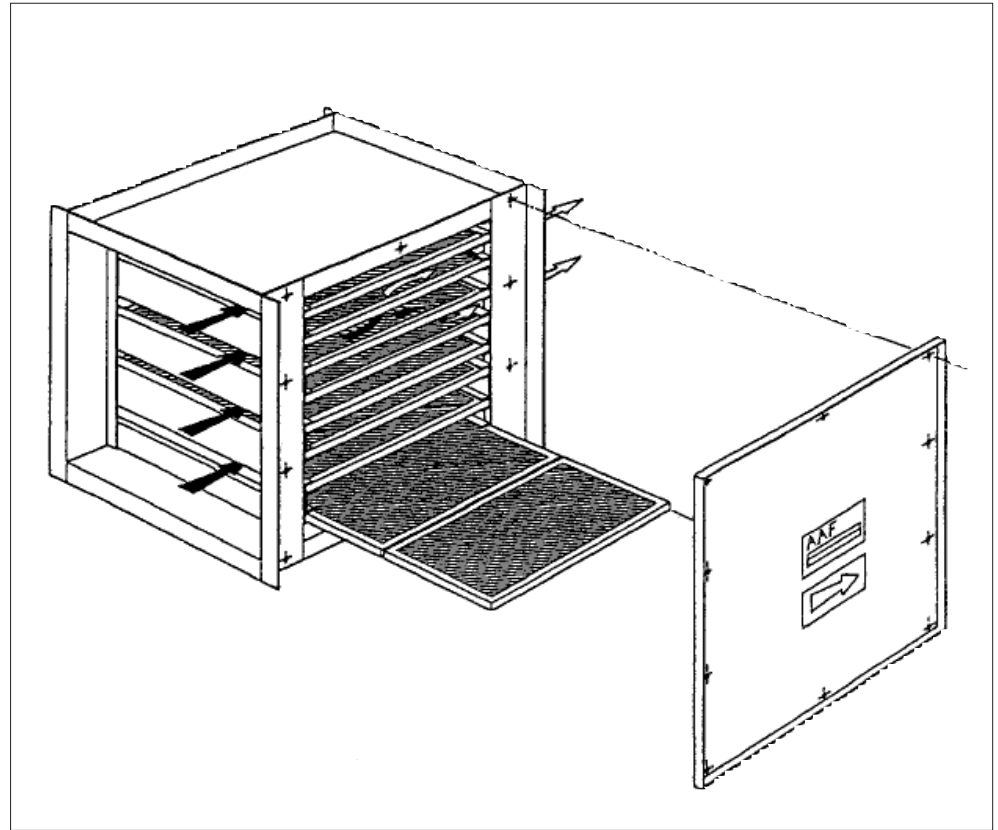




CSL-U Housing

Side Access Housing for Active Carbon Filters.



Description

The CSL-U Housing consists of:

- A Filterbank composed of slide tracks to support Active Carbon trays type AFC 10P2.
- An airtight Housing constructed around the slide tracks executed in galvanized steel.
- A lateral service hatch fixed with spring loaded buttons and mounted on one or the other side of the Housing.
- Two non drilled flanges for connection to the duct on the air in/outlet

The Side Access Housing is equipped with AFC 10P2 trays executed in perforated plate, containing active carbon covered by a sheet of foamed material against migration of carbon particles.

The inlet and outlet opening are designed in such a way that the air can only pass through the horizontally installed active carbon beds (see detail A). The strength of the Housing is adapted to the maximum permissible pressure drop for Active Carbon Filters.

Applications

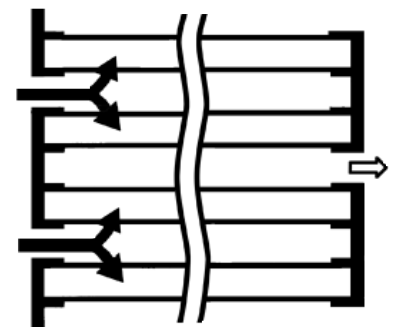
Elimination of objectionable odours and noxious vapours from the air.

Advantages

- Simple concept
- Quick installation
- Quick access to the Active Carbon trays
- Wide range

Options and accessories

- Execution in coated steel
- Execution in stainless steel
- Side access door mounted on hinges



detail A





CSL-U Housing

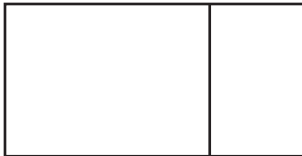
Dimensions

Reference	Height ¹⁾	Width ¹⁾	Depth	Weight	Number of trays AFC 10P2	Maximum capacity m ³ /h ³⁾
CSL-U	mm	mm	mm	kg		
H1L0.5	710	405	850	65	8	1680
H0.5L1	405	710	850	65	8	1680
H1L1	710	710	850	110	16	3360
H1L2 ²⁾	710	1320	850	200	32	6720
H2L2 ²⁾	1320	1320	850	365	64	13440
H2L3 ²⁾	1320	1930	850	530	96	20160
H3L3 ²⁾	1930	1930	850	770	144	30240

- 1) Dimensions including the outside flanges (50 mm nominal)
- 2) With side access hatch on both sides of the Housing
- 3) Pressure drop = 120 Pa. Contact velocity 0,40 m/s max.

Notes:

- For other sizes, contact us
- Slide track for prefilterbank: contact us
- Supplementary half sizes 12x24" to one or both sides :add ".5" to the correspondent size of the side concerned



Example:

Housing ref.CSL-U H1.5

For installation of 3 rows of 8 trays in width of the Housing being (24 trays).

Characteristics of an AFC 10P2 tray:

- Dimensions: 305 x 600 x 25 mm.
- Nominal capacity: 210 m³/h (pressure drop 120 Pa)
- Approx. weight: ~ 4 kg.

Options

- Execution in coated steel: CSL-U option **P**
- Execution in stainless steel AISI 304 L: CSL-U option **S**
- Two side access hatches: CSL-U option **L**
- Side access door mounted on hinges: CSL-U option **CH**

Recommendations:

The adsorption capacity of active carbon is best at temperatures lower than 50°C and a relative humidity of max. 50%. Before the adsorption phase the air must be filtered to take the dust out which will contaminate the active carbon. Minimum Filter efficiency EU 5.

AAF-International B.V.
P.O. Box 7928
1008 AC Amsterdam
The Netherlands
Tel.: + 31 20 549 44 11
Fax: + 31 20 644 43 98

International AAF Offices:
 Vienna (A), Montreal (CDN), Dortmund (D),
 Vitoria (E), Paris (F), Cramlington (GB),
 Athens (GR), Milan (I), Riyadh (KSA),
 Mexico (Mex), Amsterdam (NL), Singapore,
 Istanbul (TR), Louisville, Ky (USA)

AAF Agents:
 Copenhagen (DK), Bangalore (IND)
 Oslo (N), Lisbon (P), Johannesburg (RSA),
 Dalsjöfors (S), Malmö (S), Helsinki (SF)



AAF has a policy of continuous product research and improvement and reserves the right to change design and specifications without notice.